



April 11, 2022

TO: HOLDERS LIST

**SUBJECT: Building 326 Storefront Window Replacement, Partition
Bracing and Isolated Siding Painting
CONTRACT NO. 071543**

ADDENDUM NUMBER # 01

This addendum is issued to add, revise, and clarify the following:

SPECIFICATIONS

SECTION 00 01 07 – Seals Page

- Add new Section 12 51 00 – Horizontal Louver Blinds.

SECTION 00 01 10 – Table of Contents

- Add new Section 12 51 00 – Horizontal Louver Blinds.

SECTION 00 11 13 – Advertisement for Bids

- Added blind demolition and replacement. Revised section to reflect new bid date of April 20, 2022.

SECTION 00 73 46 – Washington State Prevailing Wage Rates

- Revised Article 1.01 to reflect new bid date of April 20, 2022.

SECTION 01 10 00 – Summary

- Revised Article 1.01.A.1 to include existing blind removal and replacement.

SECTION 01 20 00 – Price and Payment Procedures

- Revised Article 1.07.C.1 to include removal and replacement of window blinds.

SECTION 12 51 00 – Horizontal Louver Blinds

- Added new section for replacing blinds.



DRAWINGS

SHEET A1.3 – Courtyard Floor Plan

- Added replace horizontal louver blinds, typical.

The undersigned Engineer of Record hereby certifies that the Technical Specifications for the following portions of this project were written by me, or under my direct supervision, and that I am duly registered under the laws of the State of Washington, and hereby affix my Professional Seal and signature.

Those Sections prepared under my direct supervision and being certified by my seal and signature below are as follows:

SEAL & SIGNATURE	SECTION(S)
	02 07 00 - Selective Demolition 06 10 00 - Miscellaneous Carpentry 07 25 00 - Weather Barriers 07 62 00 - Sheet Metal Flashing and Trim 07 92 00 - Joint Sealants 08 32 13 - Sliding Aluminum - Framed Glass Door 08 40 00 - Aluminum Entrances and Storefronts 08 71 10 - Door Hardware 09 22 16 - Non-structural Metal Framing 09 51 00 - Acoustical Ceilings 09 91 00 - Painting
 <p>Expires 01 December 2023</p>	12 51 00 - Horizontal Louver Blinds 02 82 00 - Asebestos Abatement

END OF SECTION

- 01 35 29 - Health, Safety, and Emergency Response Procedures
- 01 35 43.13 - Hazardous Materials Handling Procedure
- 01 35 47 - Air and Noise Control Procedures
- 01 41 00 - Regulatory Requirements
- 01 42 19 - Reference Standards
- 01 45 00 - Quality Control
- 01 50 00 - Temporary Facilities and Controls
- 01 55 00 - Vehicular Access and Parking
- 01 57 13 - TESC and Project SWPPP
- 01 60 00 - Product Requirements
- 01 71 00 - Examination and Preparation
- 01 74 13 - Construction Cleaning
- 01 74 16 - Soil Characteristics and Waste Management
- 01 77 00 - Closeout Procedures
- DIVISION 2 - EXISTING CONDITIONS
 - 02 07 00 - Selective Demolition
 - 02 82 00 - Asbestos Abatement
- DIVISION 06 - ROUGH CARPENTRY
 - 06 10 00 - Miscellaneous Carpentry
- DIVISION 07 - THERMAL AND MOISTURE PROTECTION
 - 07 25 00 - Weather Barriers
 - 07 62 00 - Sheet Metal Flashing and Trim
 - 07 92 00 - Joint Sealants
- DIVISION 08 - OPENINGS
 - 08 32 13 - Sliding Aluminum-Framed Glass Door
 - 08 40 00- Aluminum Entrances and Storefronts
 - 08 71 10 - Door Hardware
- DIVISION 09 - FINISHES
 - 09 22 16 - Non-structural Metal Framing
 - 09 51 00 - Acoustical Ceilings
 - 09 91 00 - Painting (Not In Contract - By Others)
- DIVISION 12 - FURNISHING
 - 12 51 00 - Horizontal Louver Blinds

APPENDICES

Appendix A - Port of Tacoma Construction SWPPP Short Form

Appendix B - Phase 1 Construction Restart COVID-19 Job Site Requirements

Appendix C - Commercial Alteration Permit #BLDCA22-0031

END OF SECTION

**BUILDING 326 STOREFRONT WINDOW REPLACEMENT, PARTITION BRACING AND ISOLATED
SIDING PAINTING**

PROJECT NO. 101532.01 | CONTRACT NO. 071543

- Scope of Work: The Work required for this Project includes:
All labor and materials to complete selective demolition and disposal of existing storefront windows and sliding glass doors and abatement, as necessary, to complete selective demolition. All labor, tools and materials as necessary to install new storefront windows and sliding glass doors. **The Work includes removal, disposal, and replacement of louver blinds.** The work includes all labor and material associated with Miscellaneous Carpentry, Weather Barriers, Sheet Metal Flashing and Trim, Joint Sealants and Door Hardware. The work includes all labor and material as necessary to install wall braces. Exterior painting IS NOT included in the Work. All work shall be completed in accordance with the Drawings and Project Manual in accordance with the Work Restrictions
- Bid Estimate: Estimated cost range is \$190,000 to \$220,000, plus Washington State Sales Tax (WSST).
- Sealed Bid Date/
Time/Location: Bids will be received at the Front Reception Desk, Port Administration Office, One Sitcum Plaza, Tacoma, Washington 98421 until **1:00 P.M. on April 14th April 20th, 2022**, at which time they will be publicly opened and read aloud and the apparent low bid will be determined.
- Pre-Bid
Conference and
Site Tour: Mandatory pre-Bid conferences and site visits have been set for Wednesday, March 30th at 10:00AM and Thursday, March 31st at 2:00PM. Attendance is required at only one visit. The site visit will convene at the project site.
- The following Personal Protective Equipment is required for the site visit:
sturdy shoes and reflective vest.
- Attendees will be required to sign a Release and Acceptance of Responsibility and Acknowledgement of Risks Form prior to entering the site and shall provide their own Personal Protection Equipment (PPE) as required above.
- Bid Security: Each Bid must be accompanied by a Bid security in an amount equal to five (5) percent of the Base Bid in a form allowed by the Instructions to Bidders.

PART 1 - GENERAL

1.01 PREVAILING AND OTHER REQUIRED WAGES

- A. The Contractor shall pay (and shall ensure that all Subcontractors of any tier pay) all prevailing wages and other wages (such as Davis-Bacon Act wages) applicable to the Project.
- B. Pursuant to RCW 39.12, "Prevailing Wages on Public Works," no worker, laborer, or mechanic employed in the performance of any part of the Work shall be paid less than the "prevailing rate of wage" in effect as of the date that bids are due.
 - 1. Based on the Bid Date, the applicable effective date for prevailing wages for this Project is ~~April 14th~~ April 20th, 2022.
- C. The State of Washington prevailing wage rates applicable for this public works Project, which is located in Pierce County, may be found at the following website address of the Department of Labor and Industries:

<https://fortress.wa.gov/lni/wagelookup/prvWagelookup.aspx>
- D. The schedule of the prevailing wage rates is made a part of the Contract Documents by reference as though fully set forth herein, and a printed copy of the applicable prevailing wage rates are also available for viewing at the Port Administration Building, located at 1 Sitcum Plaza, Tacoma, WA 98421 (253-383-5841). Upon request to the Procurement Department at procurement@portoftacoma.com, the Port will email or mail a hard copy of the applicable Journey Level prevailing wages for this Project.
- E. Questions relating to prevailing wage data should be addressed to the Industrial Statistician.
 - Mailing Address: Washington State Department of Labor and Industries
Prevailing Wage Office
P.O. Box 44540
Olympia, WA 98504
 - Telephone: (360) 902-5335
 - Facsimile: (360) 902-5300
 - 1. If there is any discrepancy between the provided schedule of prevailing wage rates and the published rates applicable under WAC 296-127-011, the applicable published rates shall apply with no increase in the Contract Sum. It is the Contractor's responsibility to ensure that the correct prevailing wage rates are paid.
- F. Statement to Pay Prevailing Wages
 - 1. Prior to any payment being made by the Port under this Contract, the Contractor, and each Subcontractor of any tier, shall file a Statement of Intent to Pay Prevailing Wages with the Department of Labor and Industries for approval.
 - 2. The statement shall include the hourly wage rate to be paid to each classification of workers entitled to prevailing wages, which shall not be less than the prevailing rate of wage, and the estimated number of workers in each classification employed on the Project by the Contractor or a Subcontractor of any tier, as well as the Contractor's contractor registration number and other information required by the Department of Labor and Industries.

PART 1 - GENERAL

1.01 SCOPE

- A. The accompanying Drawings and Specifications show and describe the location and type of Work to be performed under this project. Work is more specifically defined on the drawings listed in Section 00 01 15.
 - 1. The Building 326 Storefront Window Replacement, Partition Bracing and Isolated Siding Painting project consists of: existing storefront window and sliding glass door demolition and disposal, asbestos abatement as required, furnishing and installing new storefront window and sliding glass door assemblies, and all associated framing, joint sealants, flashing and weather sealing for complete installation. The Work includes installation of metal framing partition braces, including all preparatory and clean-up work. The Work under this contract is to provide, furnish and install all labor, materials and equipment required to complete the work, installed, tested, and ready for use, and as described in these documents. The Work shall also include existing blind removal and replacement.

1.02 LOCATION

- A. The work is located at:
 - 401 E Alexander Ave Bldg 326
 - Tacoma, WA 98421

PART 2 - PRODUCTS - NOT USED

PART 3 - EXECUTION - NOT USED

END OF SECTION

3. Payment: This item will be paid for at the Contract lump sum price as specified in the Contractor's submitted bid, in accordance with the approved Schedule of Values.
- C. Item #3: Demolish, Furnish and Install Storefront Windows and Sliding Glass Door Assemblies
1. Item Description: The Work of this item includes all tools, labor and material as required to demolish and dispose of the existing storefront and sliding door assemblies, abatement as required, temporary weatherproofing, all tools, labor and material as required to furnish and install new storefront and sliding glass assemblies, as well as associated framing, trim, sealants, flashing and restorative works to produce a complete assembly. **The Work shall include removal and replacement of window blinds.**
 - a. It shall be the Contractor's responsibility to determine if asbestos abatement is required due to the need to disturb ACM identified in the Hazardous Building Materials survey report associated with this project. The storefront Work is time sensitive and based on a disturbance period agreed upon with the Port's current tenant as specified in Section 01 14 00 - Work Restrictions. The requirements of Section 02 82 00 - Asbestos Abatement shall be satisfied within the specified work window.
 2. Measurement: This item will be measured based on a percentage complete for the overall lump sum amount.
 3. Payment: This item will be paid for at the Contract lump sum price as specified in the Contractor's submitted bid, in accordance with the approved Schedule of Values.
- D. Item #4: Wall Bracing.
1. Item Description: The Work of this item includes all labor, tools and materials to install metal framing wall braces as indicated in the Drawings. This work includes all preparatory work to access partition walls and cleaning to restore impacted areas.
 2. Measurement: This item will be measured based on a percentage complete for the overall lump sum amount.
 3. Payment: This item will be paid for at the Contract lump sum price as specified in the Contractor's submitted bid, in accordance with the approved Schedule of Values.
- E. Item #5: Unforeseen Conditions Allowance
1. This allowance will be for UNFORESEEN CONDITIONS for work unidentified at the time of bid and will be paid preferably as negotiated unite price(s) or lump sum(s). If unit prices or lump sums cannot be established, work will be paid on a time and materials basis per Section 00 72 00 General Conditions Article 8.0. Work under this bid item will be accomplished upon written direction of the Engineer as a Minor Change in Work. This entire bid item may or may not be used.
 2. UNFORESEEN CONDITIONS ALLOWANCE will be paid at the price agreed upon for each Minor Change in Work issued by the Engineer. The measurement for payment will depend on the method agreed upon for each Minor Change issued. For longer duration changes incremental payment for completed work shall be a percentage, determined by the Engineer, payable in monthly progress payments, proportional to the work completed.

PART 2 - PRODUCTS - NOT USED

PART 3 - EXEUCION - NOT USED

END OF SECTION

PART 1 GENERAL

1.01 SECTION INCLUDES

- A. Horizontal slat louver blinds.
- B. Operating hardware

1.02 RELATED WORK

- A. For warranty requirements, see Section 01 77 00 - Closeout Procedures.

1.03 REFERENCES

- A. FS AA-V-00200 - Venetian Blinds

1.04 SYSTEM DESCRIPTION

- A. Horizontal metal slat louver blinds installed at window openings, manual control of raising and lowering by cord; blade angle adjustable by control wand.

1.05 SUBMITTALS

- A. Submit product data under provisions of Section 01 33 00
- B. Submit two samples illustrating slat materials and finish and color
- C. Submit manufacturer's installation instructions under provisions of Section 01 33 00.
- D. Under provisions of Section 01 33 00, submit the following:
 - 1. Product information
 - 2. Maintenance Data: Submit manufacturer's printed maintenance recommendations for the care, cleaning, and maintenance of the drapery.

1.06 QUALITY ASSURANCE

- A. Manufacturer: Company specializing in manufacturing the products specified in this Section.

1.07 WARRANTY

- 1. Submit standard 5 year warranty against defects in materials and workmanship. Warranty to include labor for reinstallation required to replace defective materials.

1.08 DELIVERY, STORAGE, AND HANDLING

- A. Deliver products to site under provisions of Section 01 60 00.
- B. Deliver blinds wrapped and crated in a manner to prevent damage to components or marring of surfaces.
- C. Store in a clean, dry area, laid flat and blocked off ground to prevent sagging, twisting, or warping.

PART 2 PRODUCTS

2.01 MANUFACTURERS

- A. Basis of Design: Bali - Customizer.
- B. Levolor, Hunter-Douglas equivalent

2.02 MATERIALS

- A. Louver Slats: One inch wide; spring tempered pre-finished aluminum horizontal slats, with manufacturing burrs removed; radiused slat corners.
- B. Slat Support: 100% high tenacity polyester yarn, ladder configuration.
- C. Channel Headrail: 1" high and deep, 0.025" thick, U-shaped treated steel with vinyl prime coat and polyester baked enamel finished coat. Headrail shall be roll-formed.
- D. Cord: Lift cords shall be braided with polyester jacket and center core, equipped with plastic tassels.
- E. Control Wand: Clear polycarbonate hollow rod with a hexagonal shape, length of window opening height less 12 inches. Wand shall be attached to the tilter shaft by means of a spring clip.
- F. Accessory Hardware: Type recommended by blind manufacturer.

2.03 FACTORY FINISHING

- A. Blind Slat and Head Rail Housing: 624 Buff, Bali Contract
- B. Cord and Control Wand: color as selected by Architect from the complete range of colors

PART 3 EXECUTION

3.01 EXAMINATION

- A. Verify that openings are ready to receive the work.
- B. Do not commence fabrication until field measurements are confirmed.
- C. Ensure structural supports are correctly placed.
- D. Beginning of installation means installer accepts existing surfaces.

3.02 INSTALLATION

- A. Install blinds in accordance with manufacturer's instructions.
- B. Secure in place with concealed fasteners.

3.03 TOLERANCES

- A. Maximum variation of gap at window opening perimeter: 1/4 inch.
- B. Maximum offset from Level: 1/8 inch.

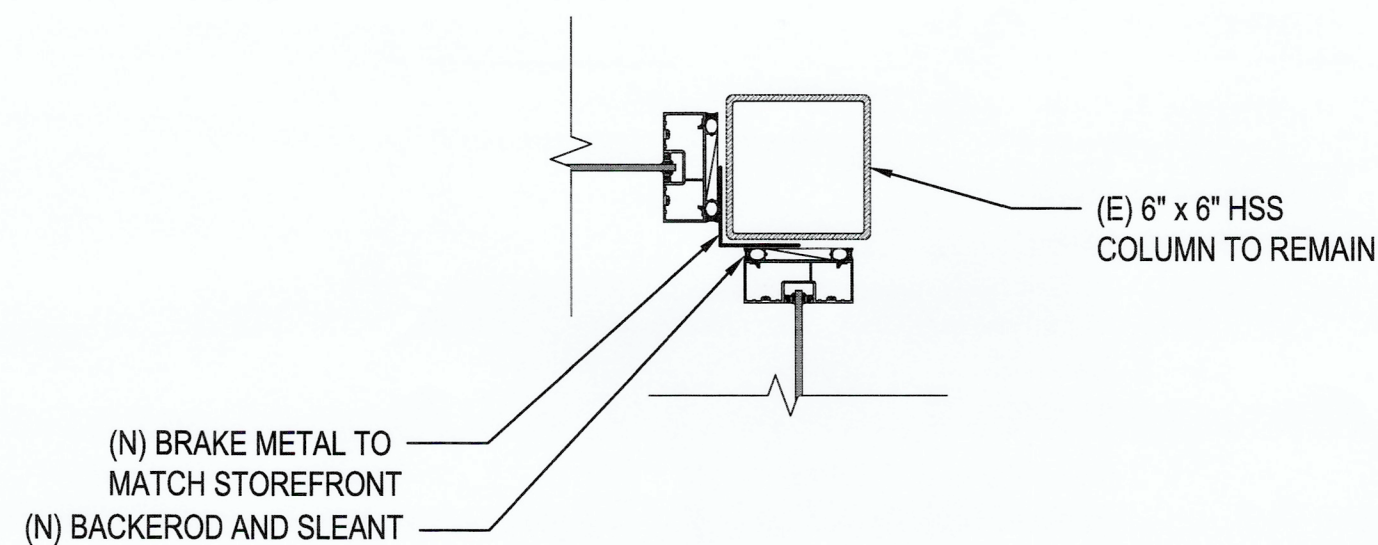
3.04 ADJUSTING

- A. Adjust blinds for smooth operation.

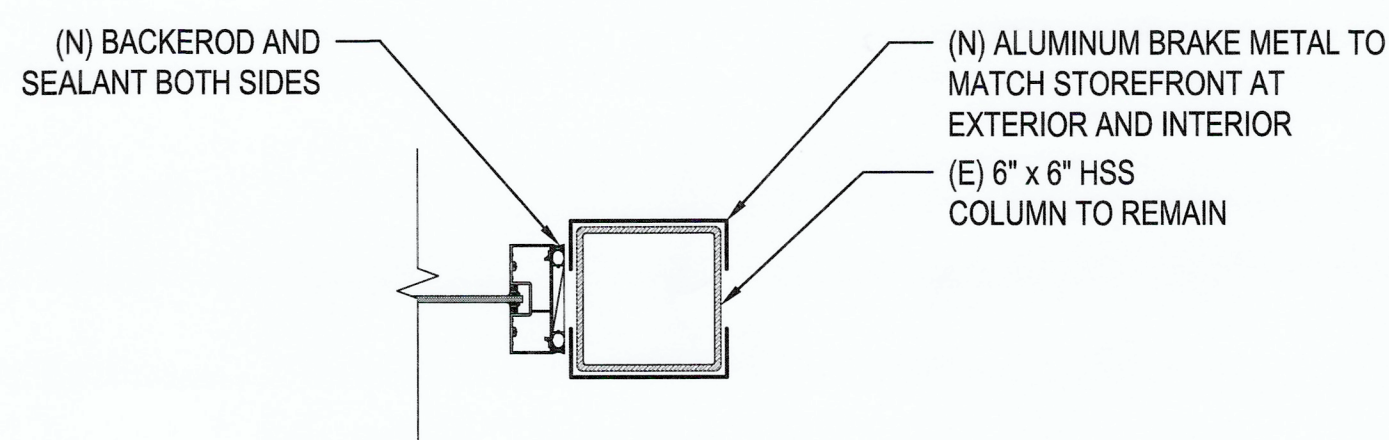
3.05 CLEANING

- A. Clean work under provisions of 01 74 13.

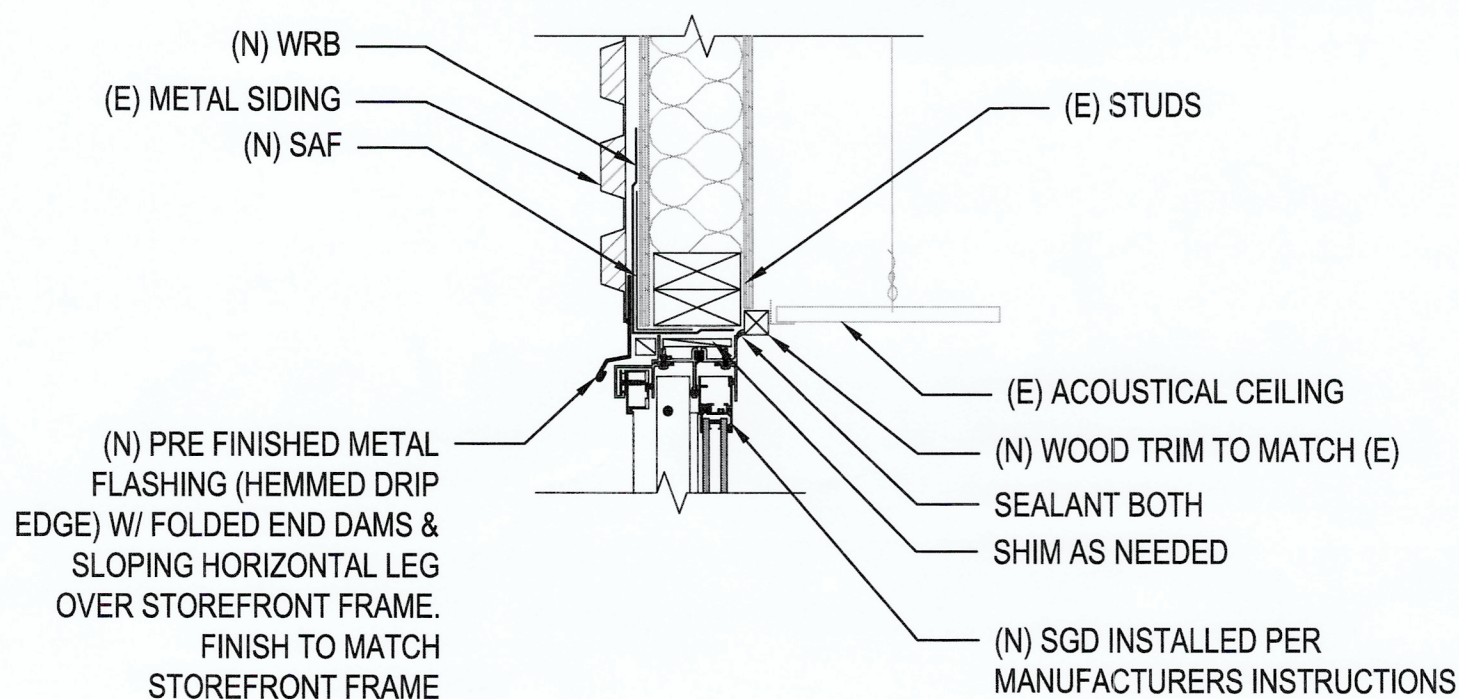
END OF SECTION



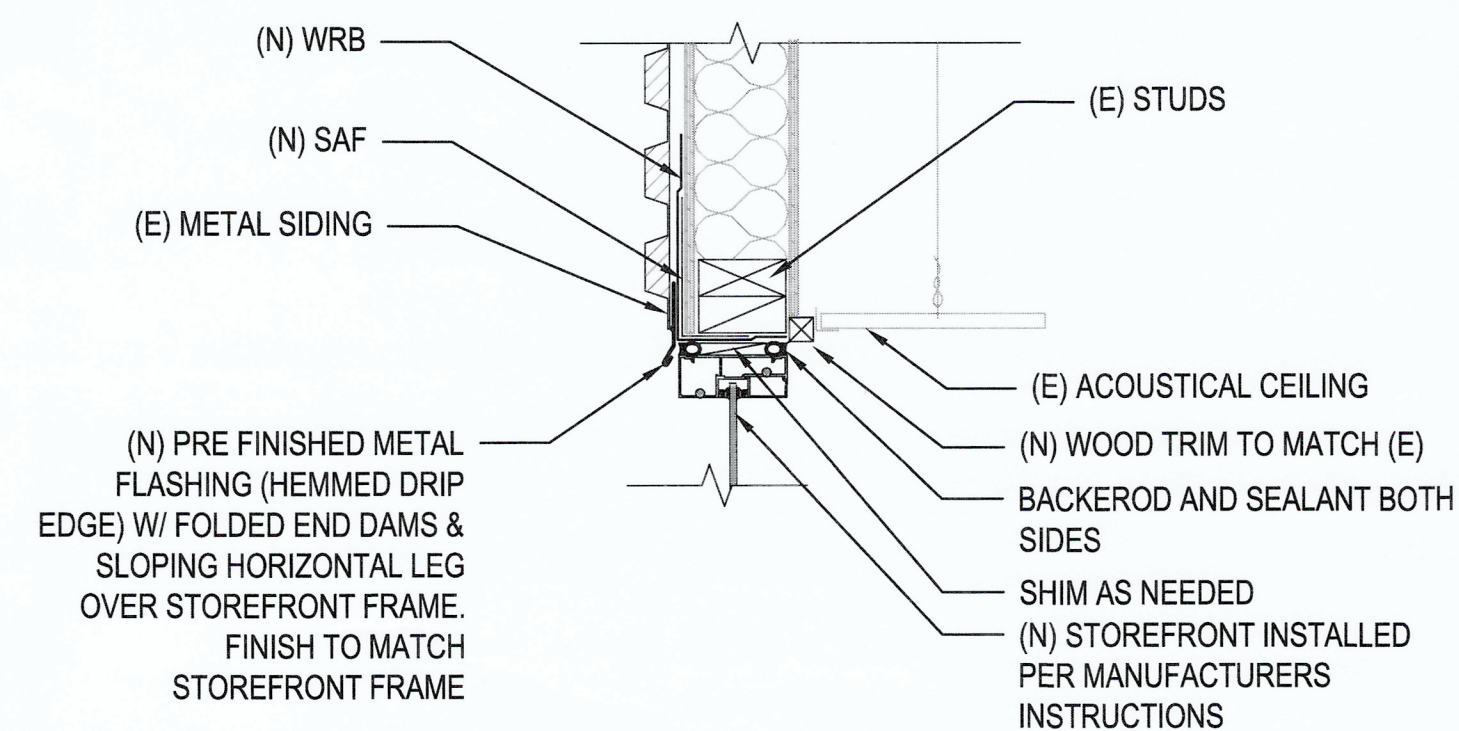
9 STOREFRONT CORNER DETAIL
A1.3 SCALE: 1 1/2" = 1'-0"



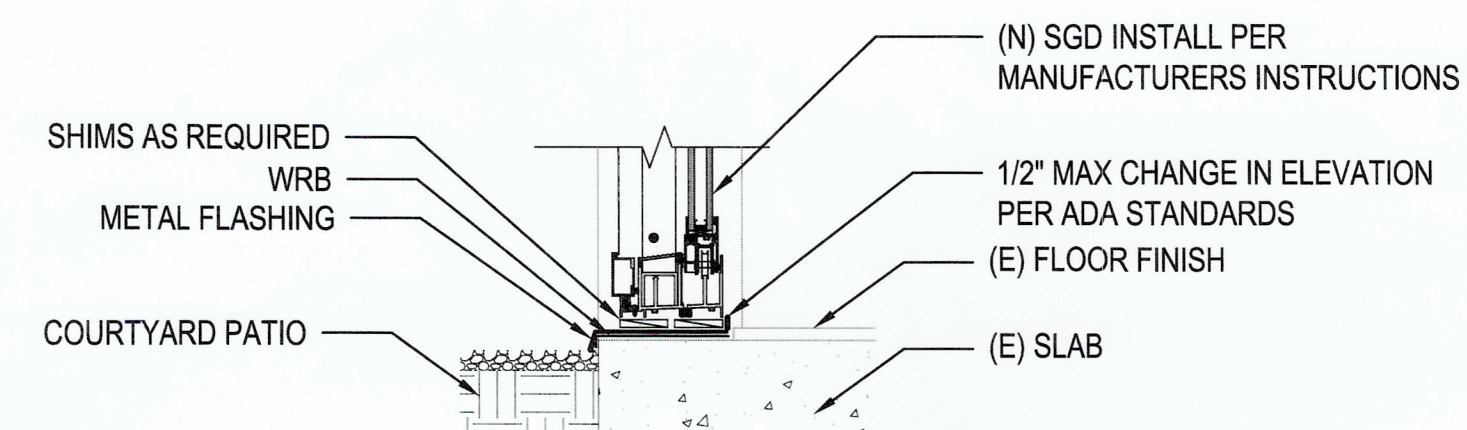
8 STOREFRONT @ (E) COLUMN (SGD SIM.)
A1.3 SCALE: 1 1/2" = 1'-0"



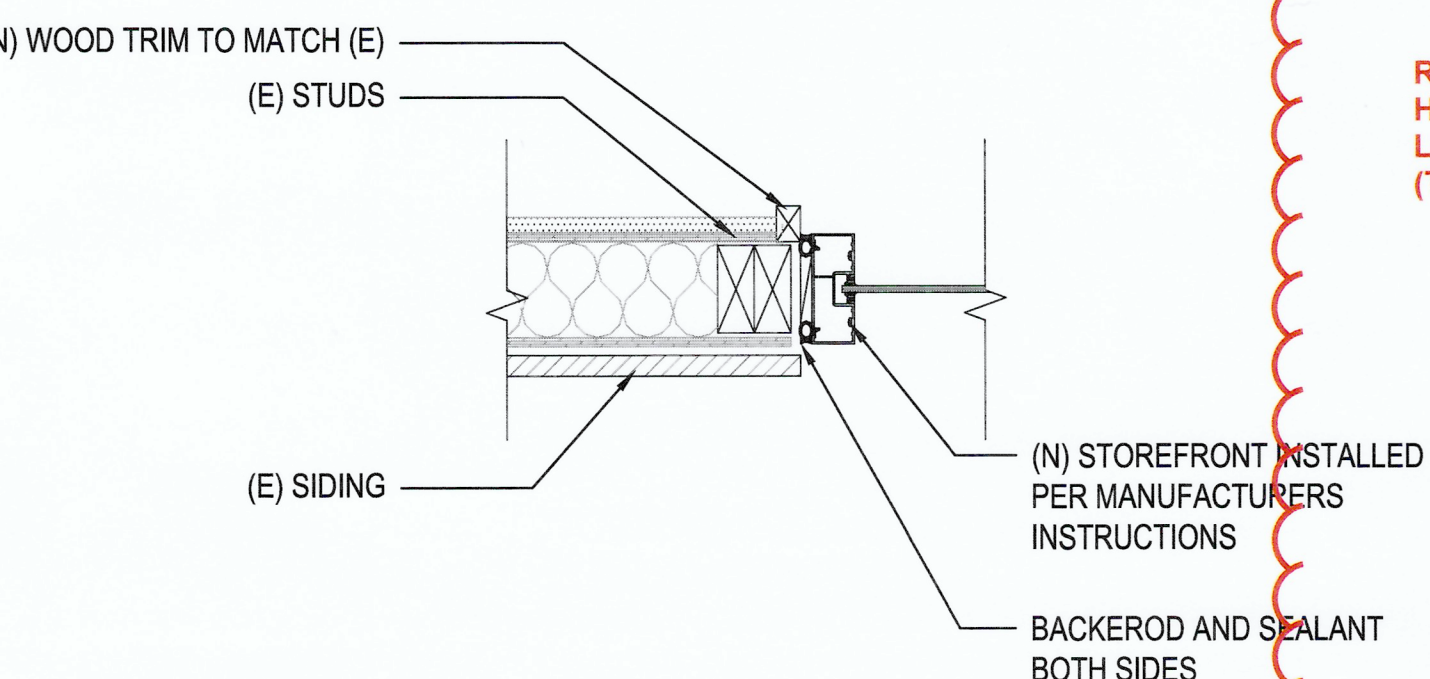
7 SGD HEAD DETAIL
A1.3 SCALE: 1 1/2" = 1'-0"



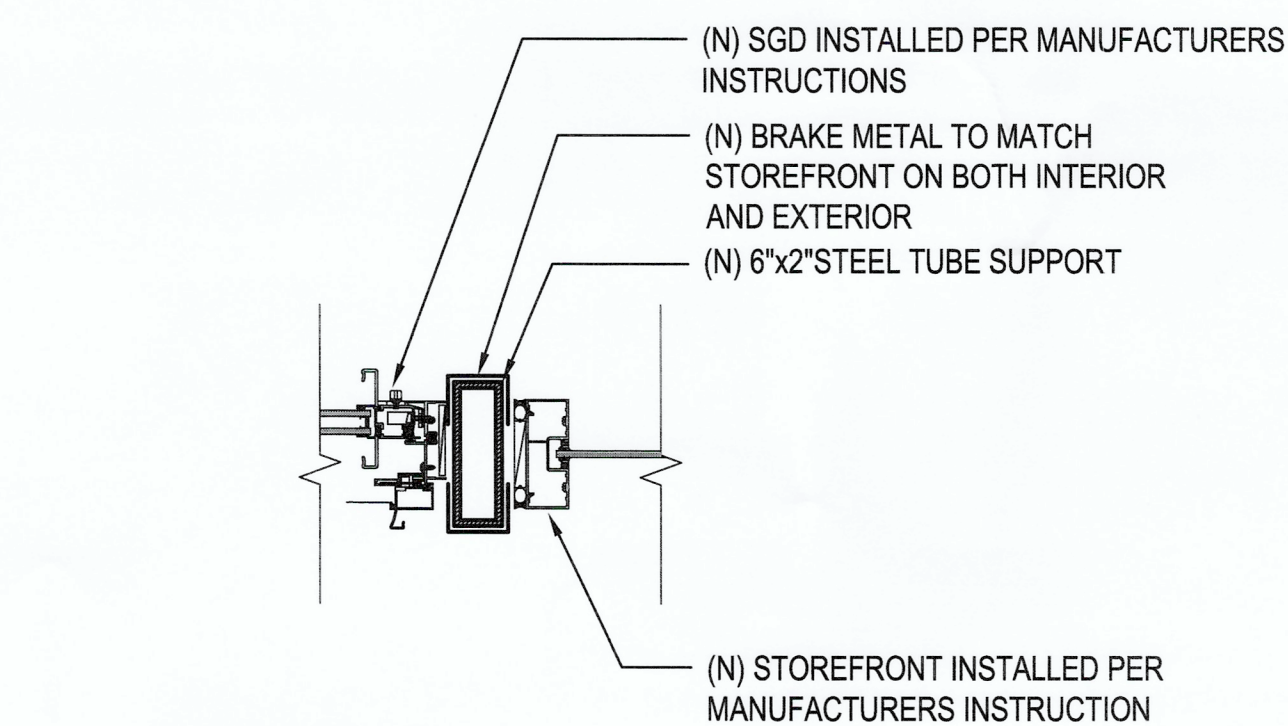
6 STOREFRONT HEAD DETAIL
A1.3 SCALE: 1 1/2" = 1'-0"



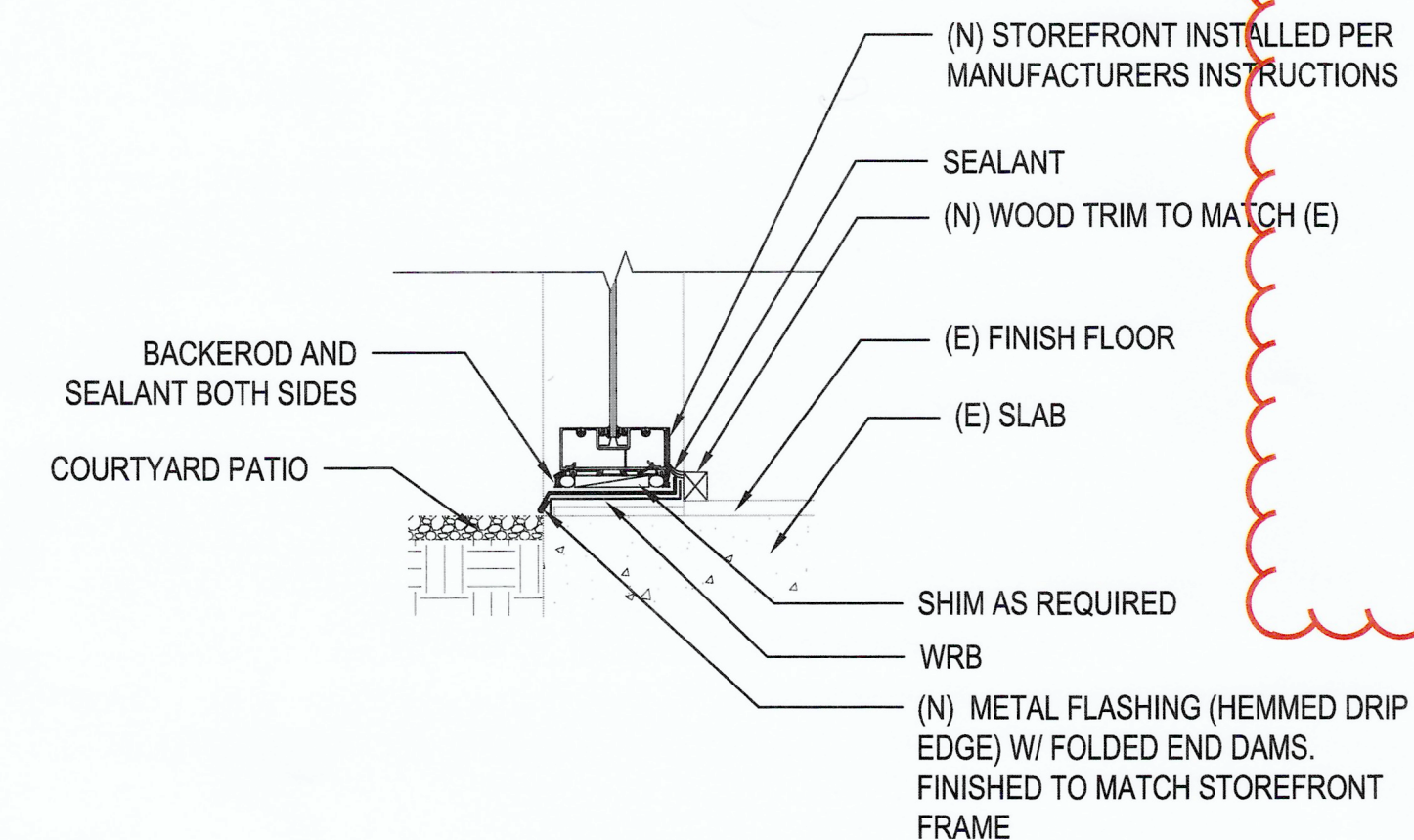
5 SGD SILL DETAIL
A1.3 SCALE: 1 1/2" = 1'-0"



4 STOREFRONT JAMB DETAIL (SGD SIM.)
A1.3 SCALE: 1 1/2" = 1'-0"

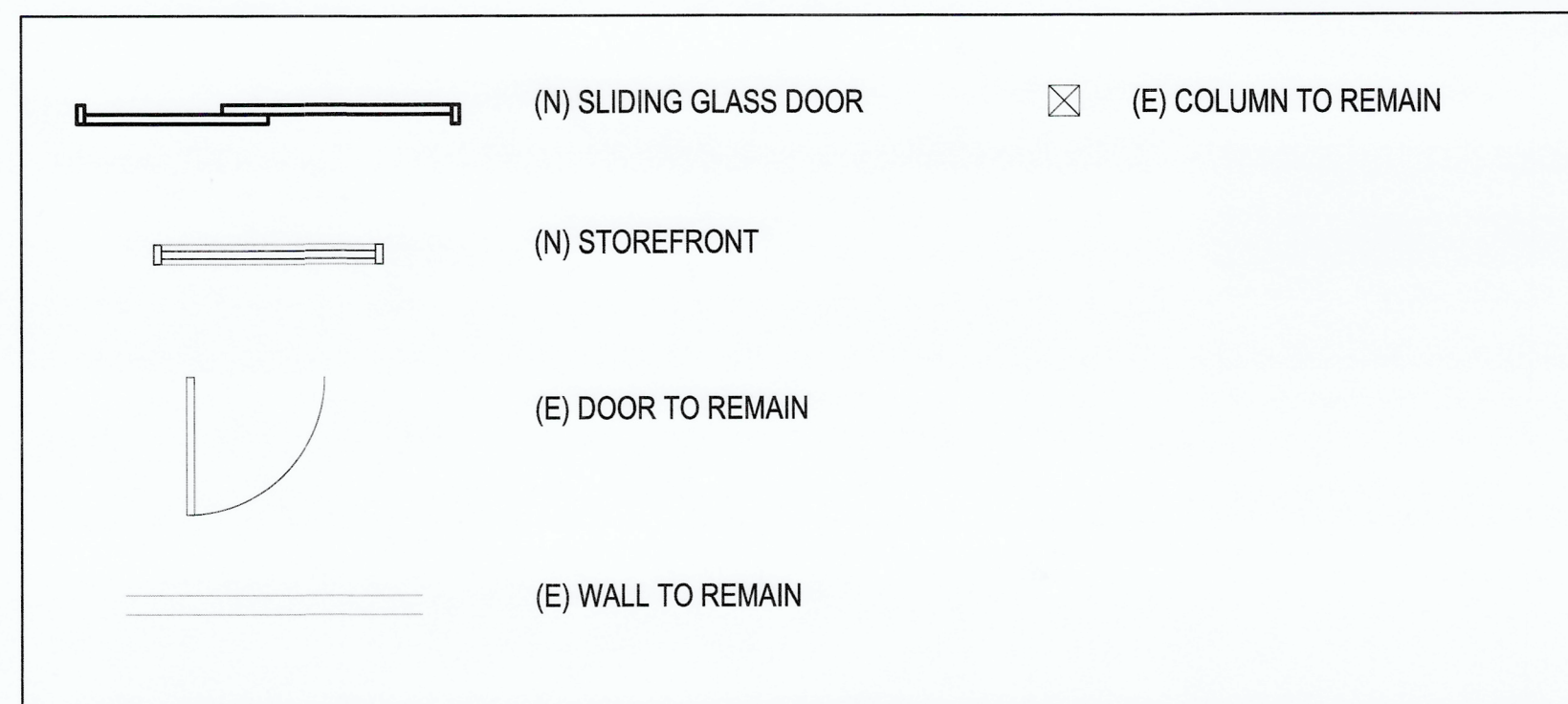


3 SGD TO STOREFRONT DETAIL
A1.3 SCALE: 1 1/2" = 1'-0"



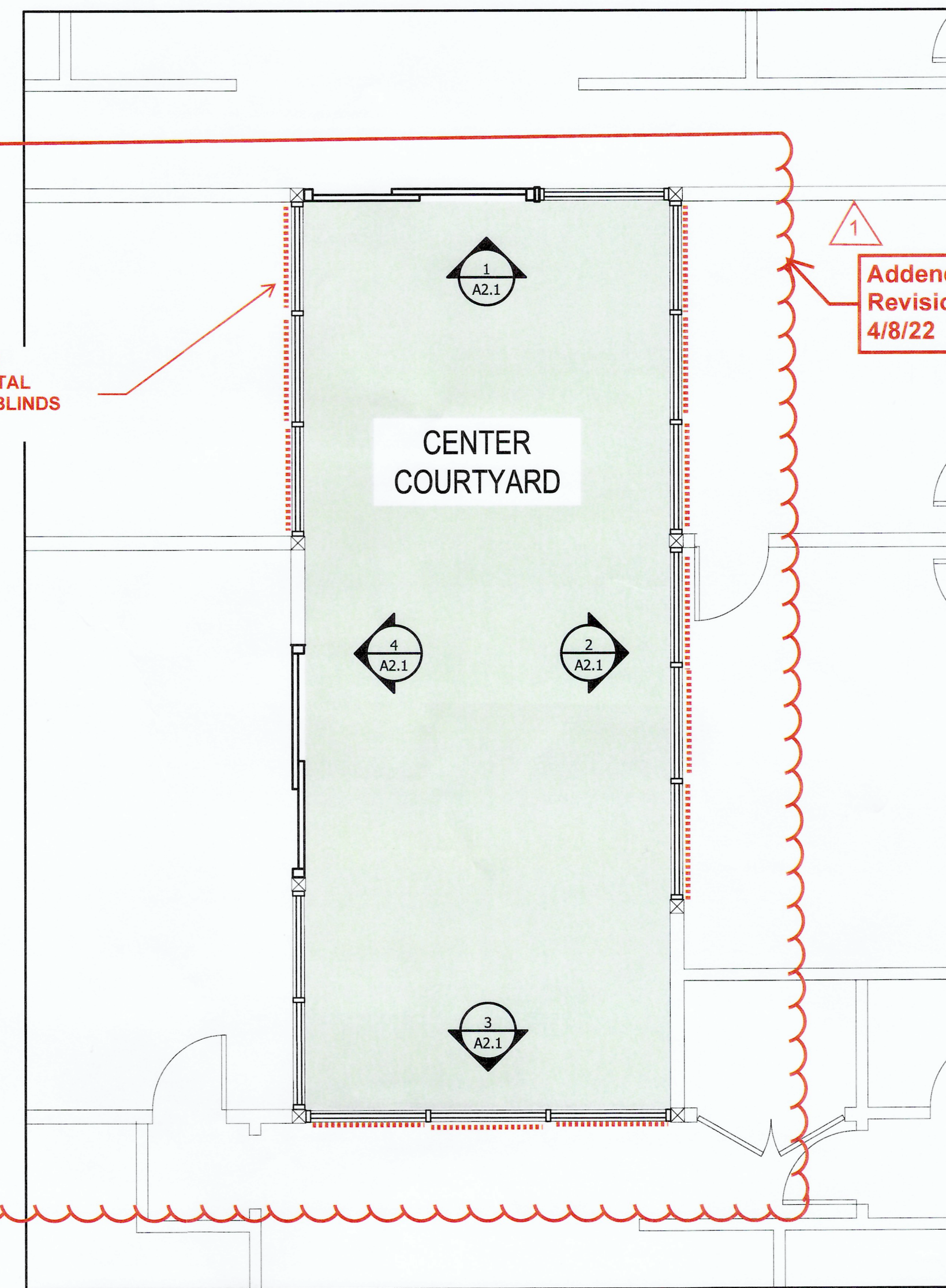
2 STOREFRONT SILL DETAIL
A1.3 SCALE: 1 1/2" = 1'-0"

LEGEND:

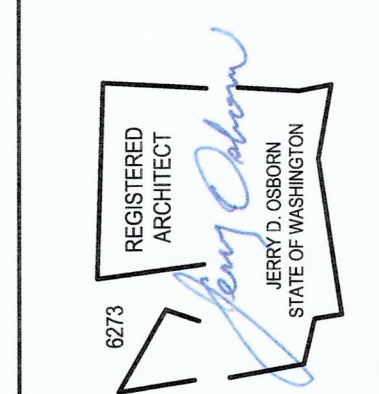
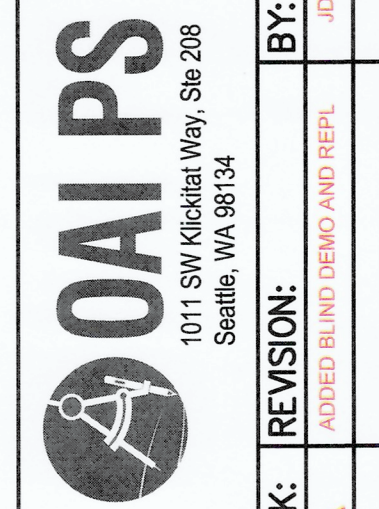
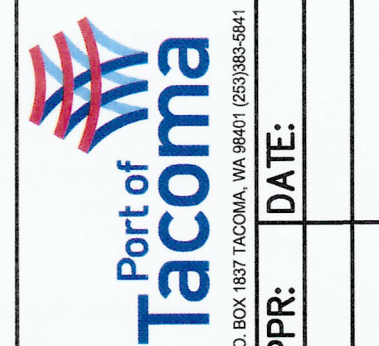
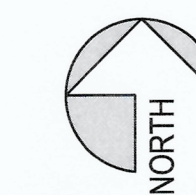


GENERAL NOTES:

- FIELD VERIFY ALL DIMENSIONS
- PROPERLY PREPARE SUBSTRATE; CLEAN AND REMOVE ANY DUST AND DEBRIS BEFORE INSTALLATION



1 COURTYARD FLOOR PLAN
A1.3 SCALE: 1/4" = 1'-0"



CHECKED BY	DATE	PROJ. ENGR	DATE
<i>Melissa Forbes</i>	Mar 09, 2022	melissa forbes	Mar 09, 2022
DIRECTOR ENGR.	DATE	PORT ADDRESS:	ONE SITCOM PLAZA TACOMA, WA 98401-1837

EARLEY BUSINESS CENTER
BUILDING 326
COURTYARD FLOOR PLAN

6677
A1.3
SH 5 OF 8
CONT/CONS: 071543
M. ID: 101532.01
PHASE:

THIS DRAWING IS THE PROPERTY OF THE PORT OF TACOMA AND SHALL NOT BE USED ON OTHER WORK, DISCLOSED, COPIED, IN WHOLE OR IN PART, WITHOUT WRITTEN PERMISSION